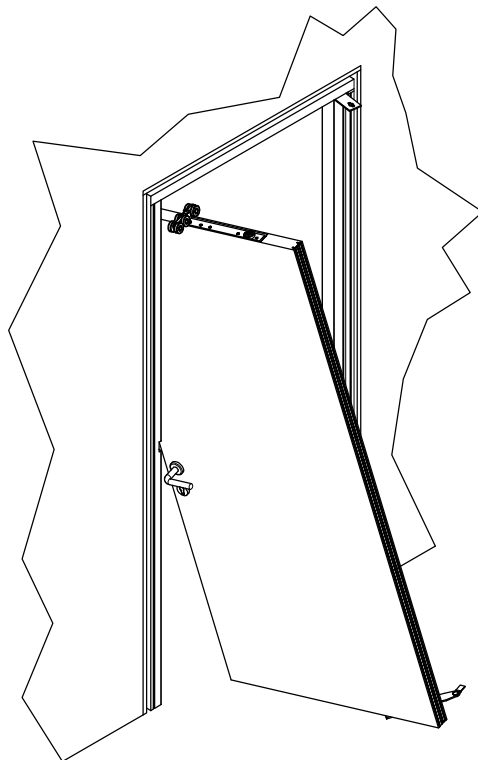


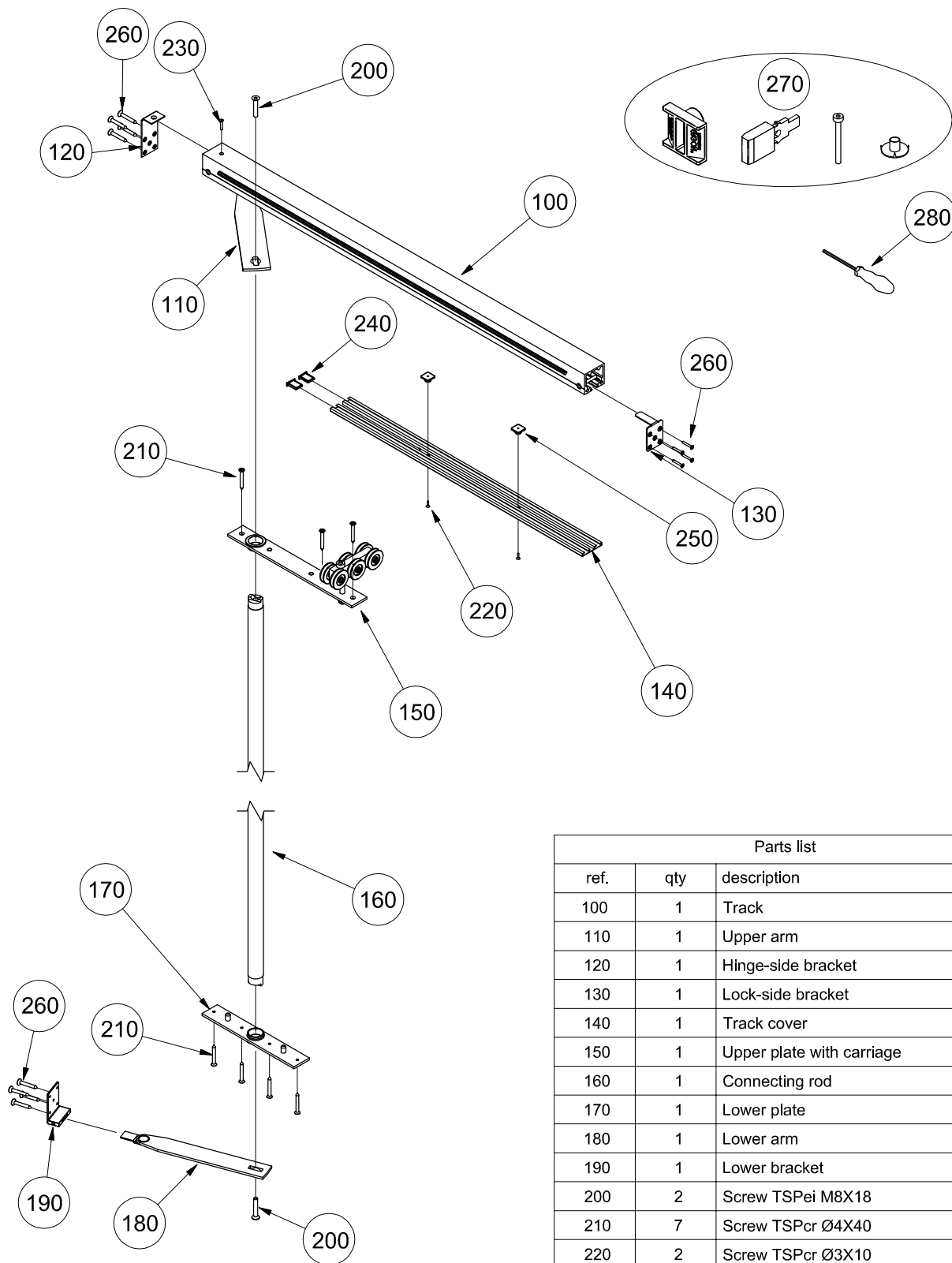
# ERGON®

## L I V I N G

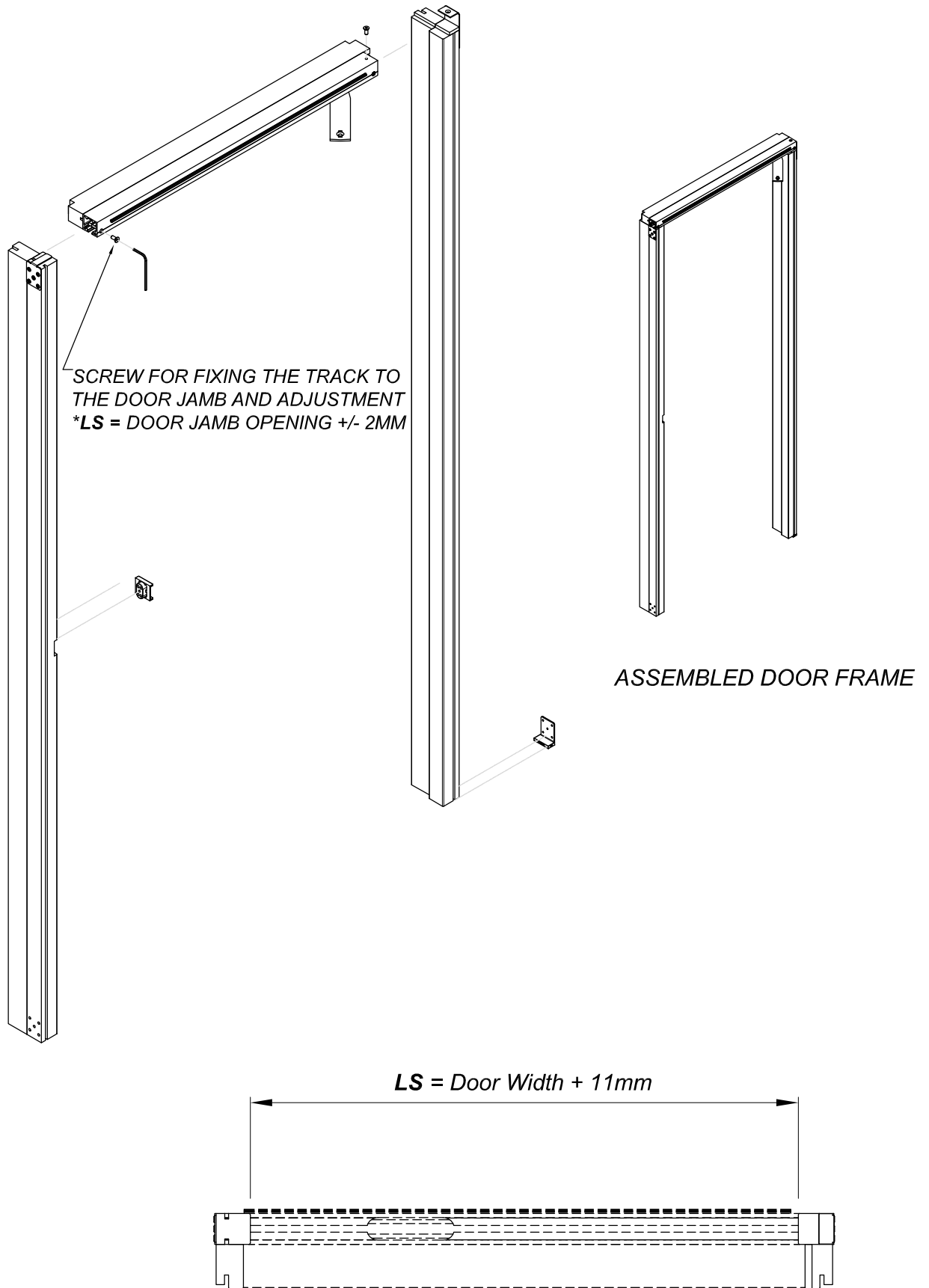
### SERIES 40 HOME

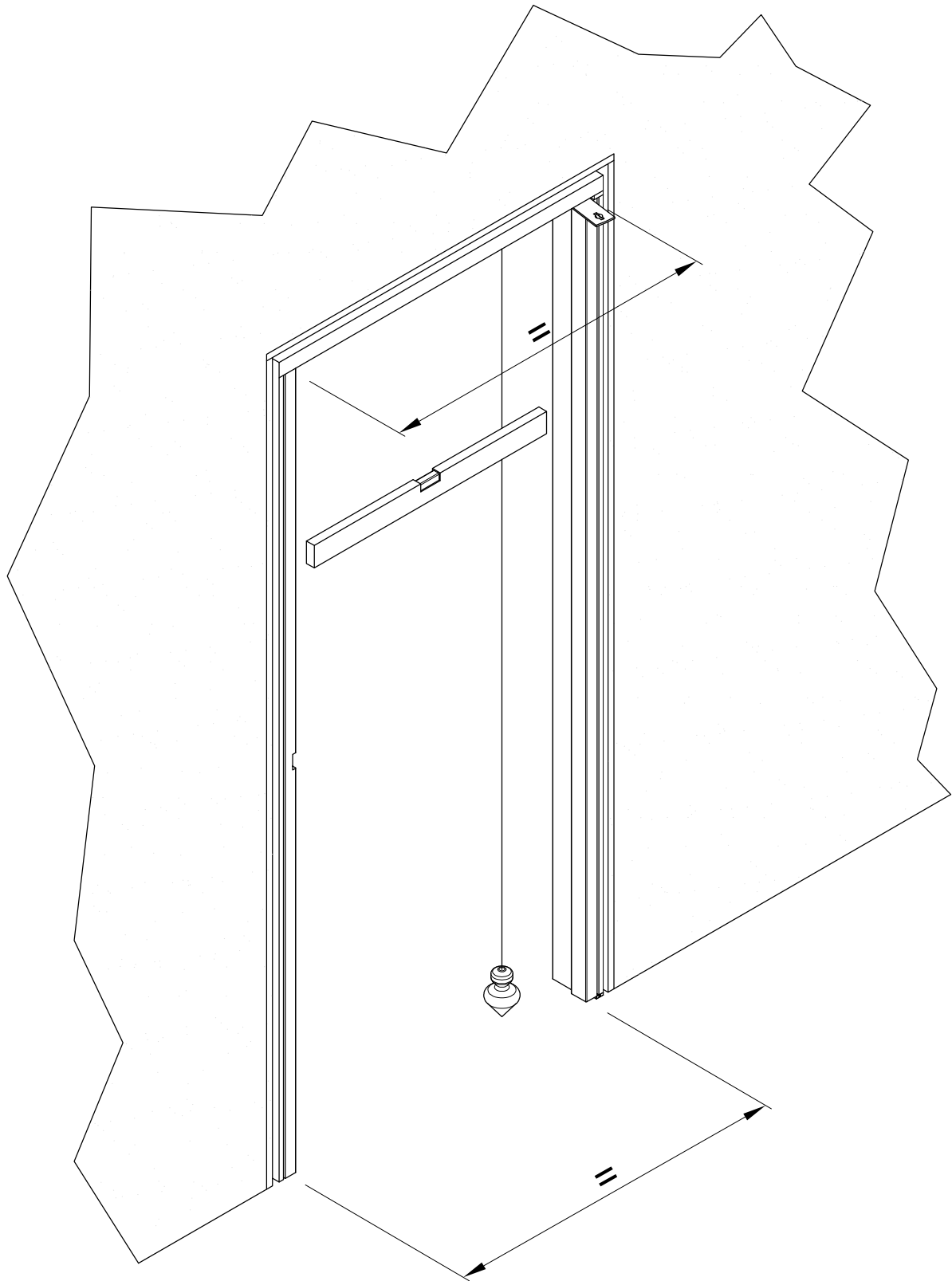
#### TECHNICAL AND ASSEMBLY INSTRUCTION swinging sliding door with connecting rod in the panel





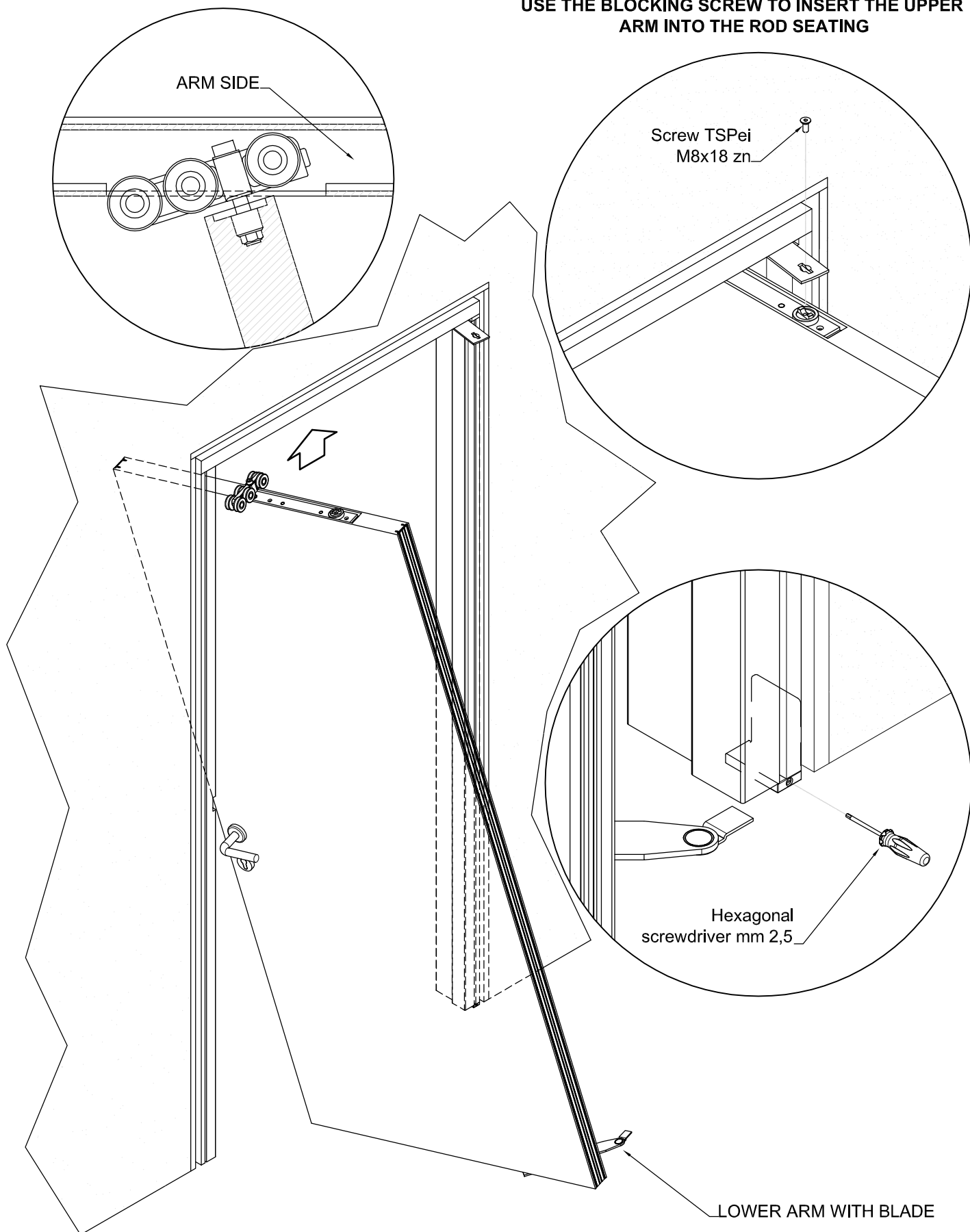
Parts list		
ref.	qty	description
100	1	Track
110	1	Upper arm
120	1	Hinge-side bracket
130	1	Lock-side bracket
140	1	Track cover
150	1	Upper plate with carriage
160	1	Connecting rod
170	1	Lower plate
180	1	Lower arm
190	1	Lower bracket
200	2	Screw TSPei M8X18
210	7	Screw TSPcr Ø4X40
220	2	Screw TSPcr Ø3X10
230	1	Screw TSPei M5x 12
240	2	Track cover cap
250	2	Track cover installation insert
260	12	Screw TSPcr Ø3,5x30
270	1	Mediana Evolution lock set
280	1	Hexagonal screwdriver mm. 2,5

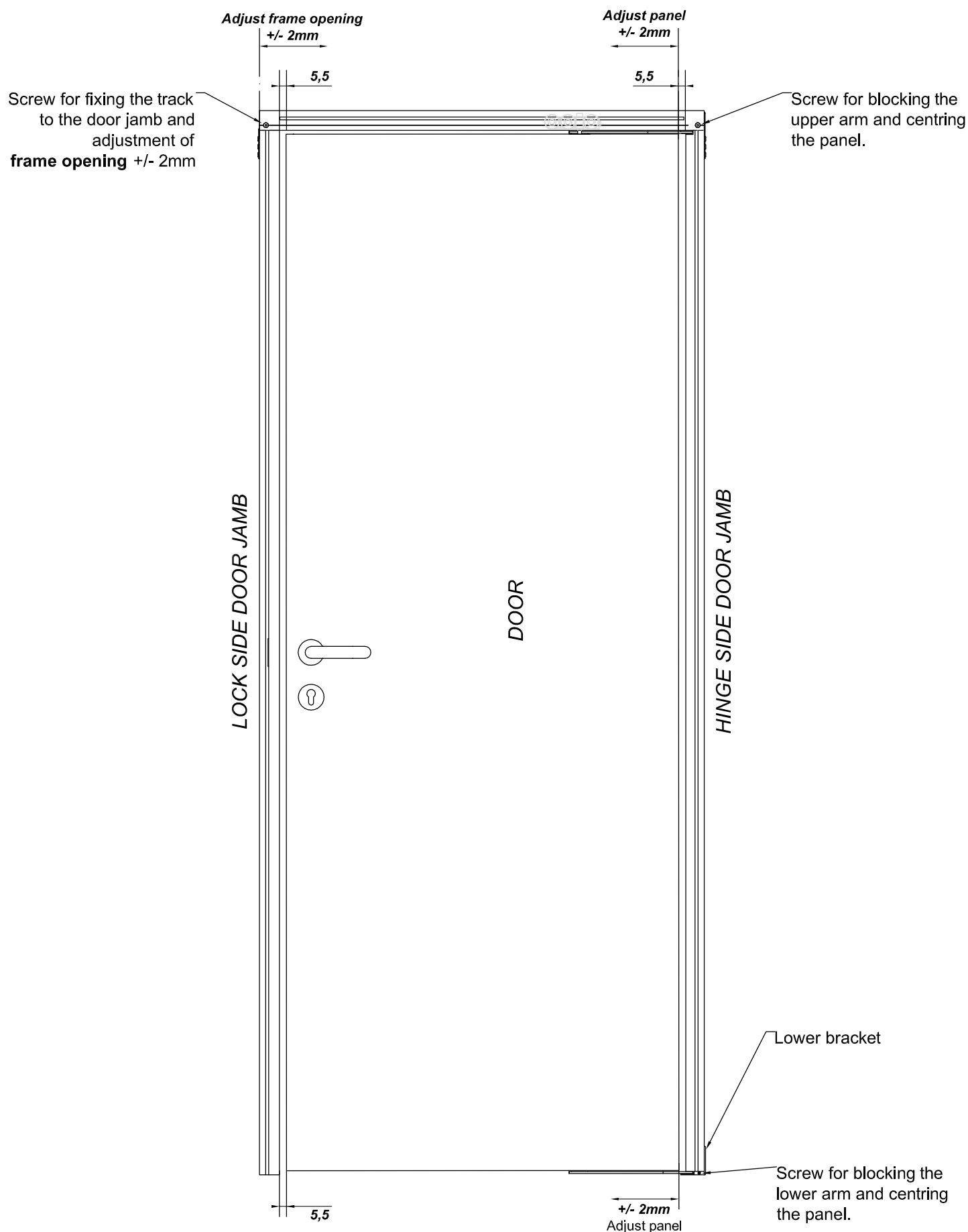




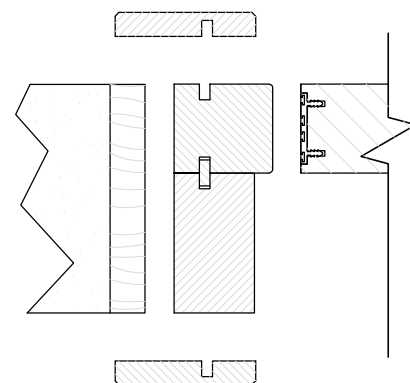
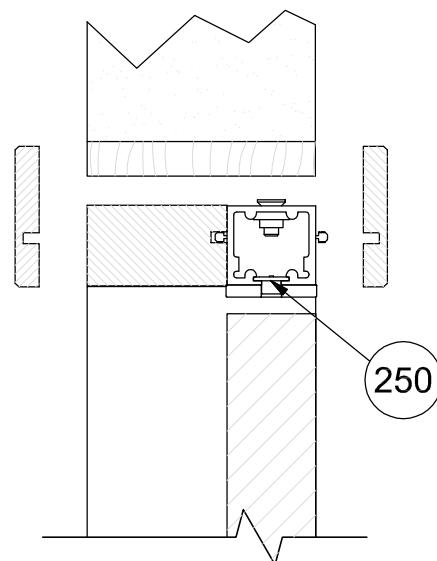
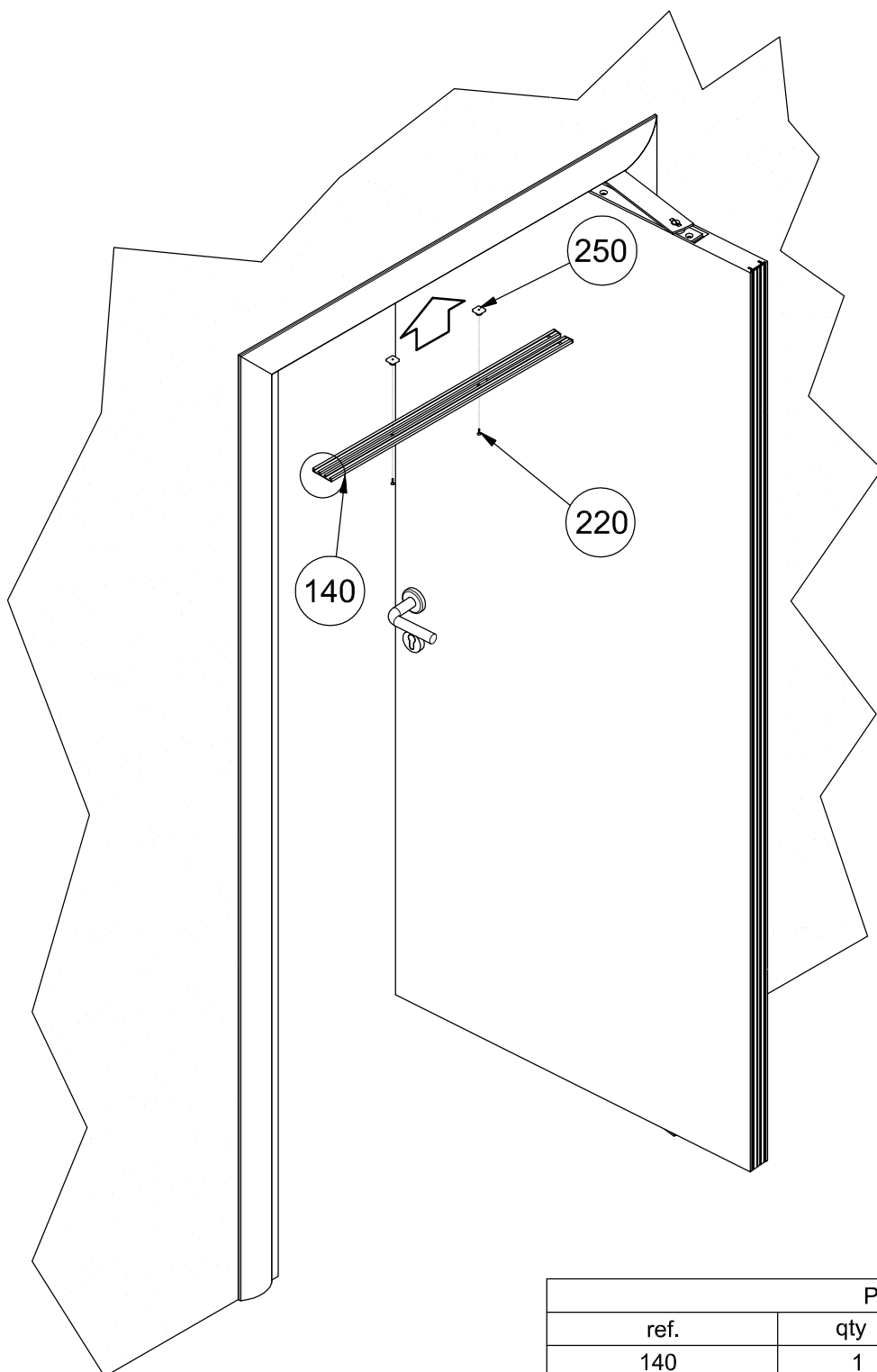
**NOTE:**  
**THE LEVELLING OF THE TRACK AND THE PLUMB OF THE DOOR JAMBS MUST BE PRECISE**

**USE THE BLOCKING SCREW TO INSERT THE UPPER  
ARM INTO THE ROD SEATING**





*IF THE FRAME WITH DOORPOST IS USED (SEE THE FIGURE HERE BELOW), THE TRACK COVER MUST BE SHORTENED BY 20 mm ON THE SIDE MARKED WITH THE CIRCLE.*



Part list		
ref.	qty	description
140	1	Track cover
250	2	Insert for cover track fixing
220	2	Screw TSPcr Ø3X10