

# SWINGING-SLIDING WOOD DOORS

there's more space in less space

40 years of experience in furnishings

**CELEGON** s.a.s.

30035 Mirano (Ve) - Via G. Galilei, 6 - Z.I. - tel. 041 5728404 - fax 041 5728522

[www.ergon.eu](http://www.ergon.eu) - [info@ergon.eu](mailto:info@ergon.eu)

**ERGON**<sup>®</sup> WOOD  
SERIES 40



**ERGON**<sup>®</sup> WOOD

Internal door with swinging-sliding movement



PO.LAT.S.WARM.IDEAS



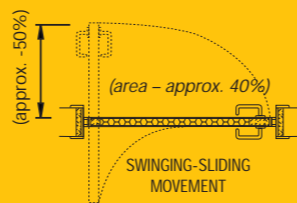
# ERGON® SYSTEM

After having passed with successfull the test in public environments with thousands of installations already to its credit, ERGON® has also clothed itself with beautiful wood to meet the requirements of your home.

ERGON® is a valid alternative for those who must deal with the problem of restricted spaces.



The swinging-sliding movement means that the space occupied by the door is much smaller than that of a normal door.



The product has received coveted awards: the "COSTRUIRE" award, assigned at SAIÉ in Bologna in 1995 by a jury of experts in the building sector, and the regional "INNOVAZIONE" award, assigned by Veneto Innovazione in the year 2000.

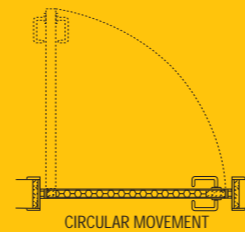
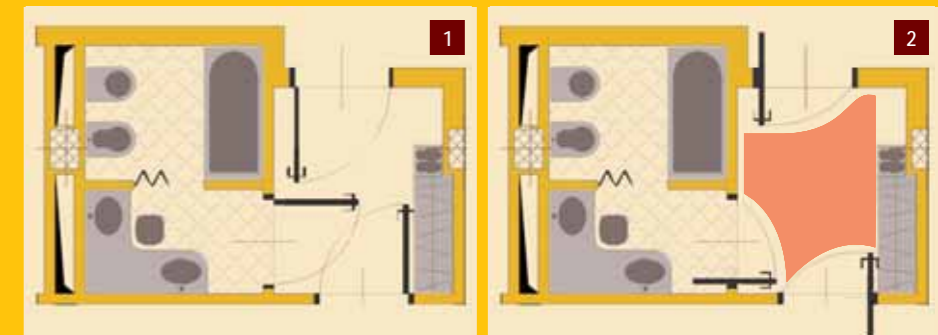


Diagram 1 shows a furnishing layout with normal hinged doors. Diagram 2 shows how, with ERGON® doors, significant useable space can be recovered in the same surface area. No more conflict between doors.

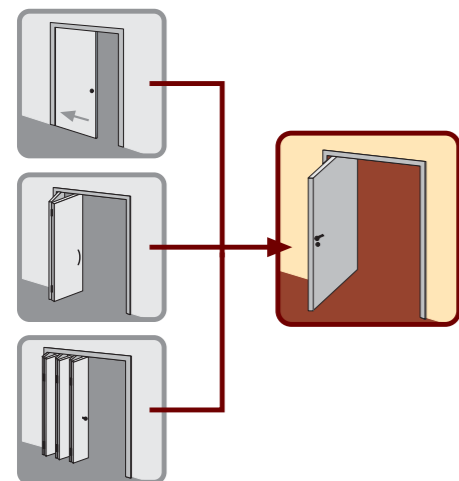


## READY FOR INSTALLATION ANYWHERE

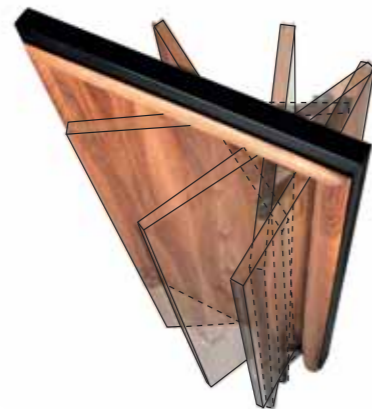
The ERGON® internal door offers a versatility that allows it to be installed anywhere. There is no particular dimensional or constructional restriction that prevents the ERGON® door from being installed. *All that is necessary is a normal sub-frame.*

## A SPECIAL DOOR AT NORMAL COST

Doors fitted with the ERGON® system are very attractive. The swinging-sliding mechanism with double swing has been conceived for making doors in a wide range of aesthetic finishes and sizes, *needs no particular maintenance and produces no bothersome noises when sliding.* A door fitted with the ERGON® system is extremely convenient, especially when you consider the amount of "useable space" that is regained and also the versatility of use.



An alternative, with no need for building work, to the normal, sliding, folding or folding-sliding doors.

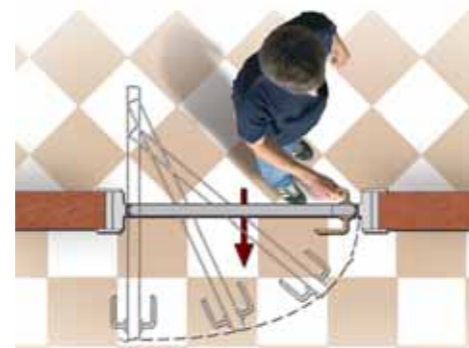


## NO UNCERTAINTY OVER THE DIRECTION OF OPENING

*The possibility of opening from either side* allows you to enter or leave a room by simply pushing the door, which also closes again very easily. The double direction of opening *solves problems concerned the exit routes.*

## INNOVATIVE TECHNOLOGY

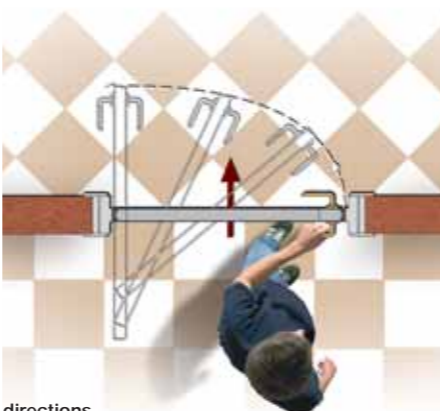
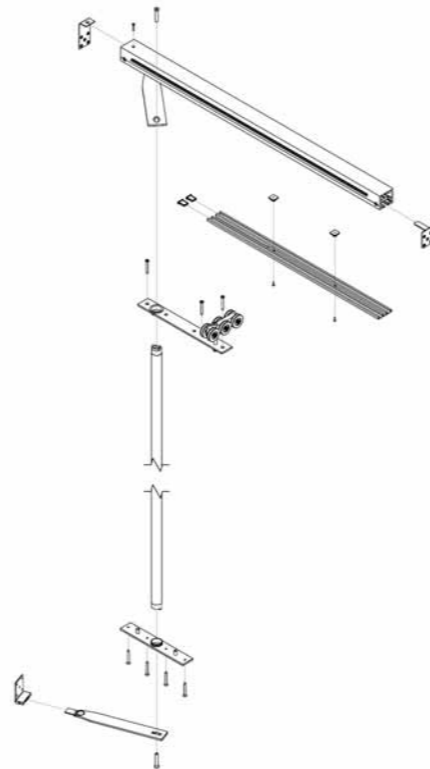
The simultaneous swinging and sliding movement of the door during opening or closing ensures *highly reduced overall dimensions so that even the smallest of rooms becomes accessible.* The swing opening is as easy as that of any hinged door.



Door with swinging-sliding movement. Opening in both directions.

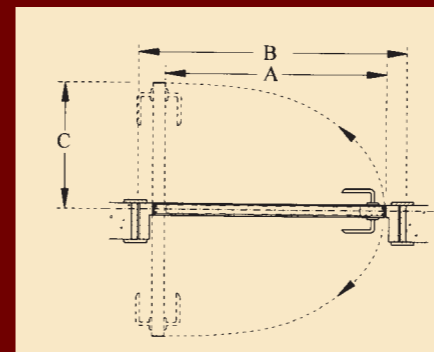
## THE MECHANISM IN KIT FORM

Doors fitted with the ERGON® swinging-sliding system may also be found at authorised retailers that Celegon supplies with the complete mechanism for making the door.



## WOOD SERIES 40 DWELLING

### dimensional examples:



#### WIDTH

Aperture width of free passage	A	640	690	740	790	840	890	940
Inside width of sub-frame	B	800	850	900	950	1000	1050	1100
Maximum overall dimensions of open door with panel flush with wall	C	392	392	392	428	478	528	578

#### HEIGHT

Aperture headroom	2000	2050	2100	2150
Height of sub-frame from floor	2050	2100	2150	2200



## QUALITY COMPONENTS

A mechanism that guarantees the "swinging-sliding" movement of the door, which has a special blocking to lock it in the centre when closed.

## CERTIFICATED STABILITY AND STURDINESS



ERGON® is a byword for quality and strength, guaranteed by Catas, the R&D laboratory for the wood-furnishing sector. After severe tests on the resistance of the system to repeated opening and closing, Catas issued a Test Report to EN 1191/00.

## ALL THE ADVANTAGES:

Thanks to the movement in both directions:

- precious useful space is gained because of the reduced dimensions;
- accessibility is improved even when space is extremely restricted;
- the disabled can move around much more easily;
- the conflict between adjacent doors is resolved;
- opening is always in the direction of movement of the person.

Thanks to its features of stability, the door:

- has for years passed with successfull colours the severe test of installation in public premises with thousands of models installed;
- needs no building work for installation;
- is available in various versions and sizes also at authorised firms.



For more information, please visit the site [www.ergon.eu](http://www.ergon.eu)