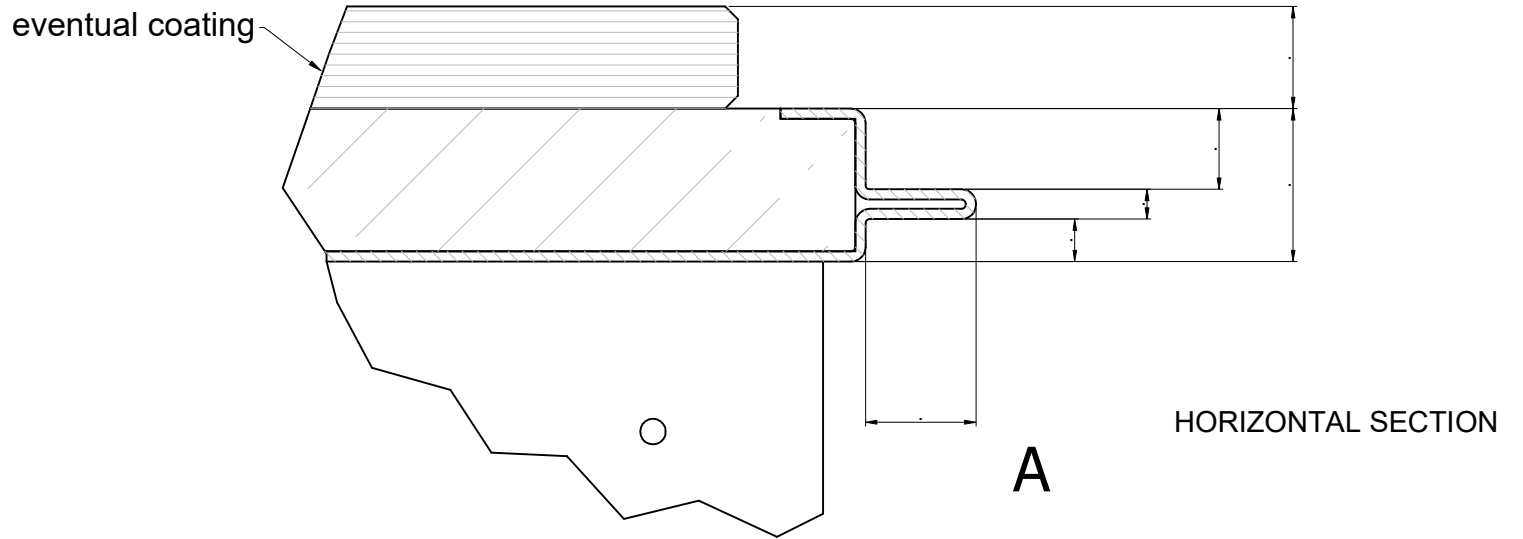
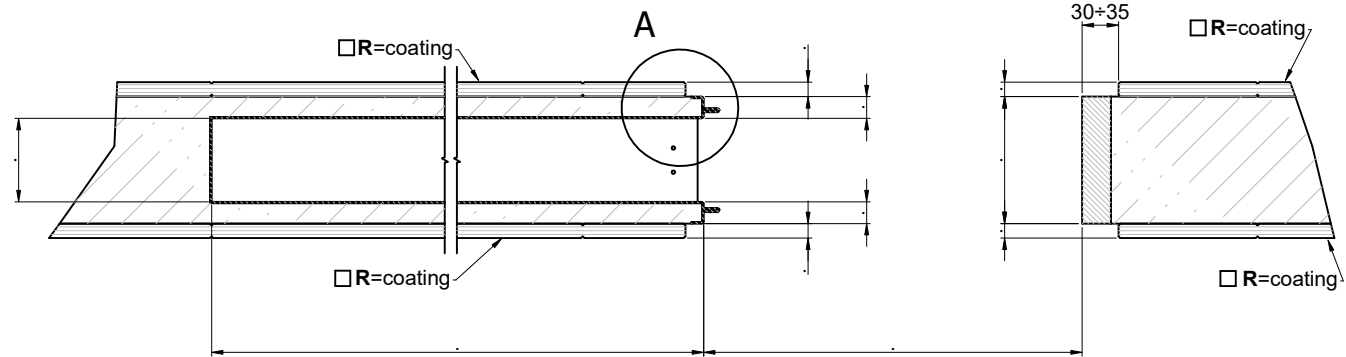


VERTICAL SECTION



HORIZONTAL SECTION



Brand and model:

Note:

IMPORTANT!
Write down all dimensions after have detected them accurately

box to tick if there is the presence of the coating

Date	Building site	Ref.

Stamp and signature of the customer